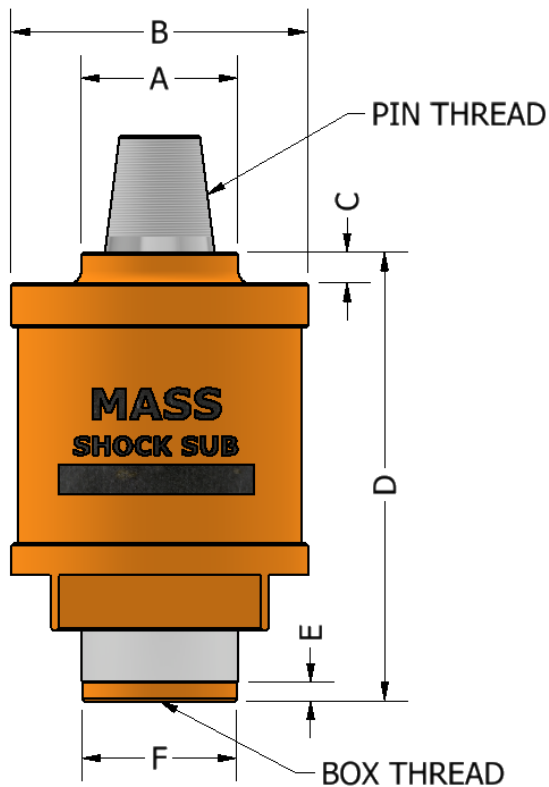


Shock-Cushion Sub – SSP6T8 Series

Technical sheet –

The SSP4T5 series shock-cushion sub is designed to fit on small DTH and rotary drill rig. It can last at least 6 months in any kind of mine condition without maintenance. After word possible to increase life by regreasing and possibly resealing the worn parts on it.



Specifications -

Pull-Down – 40 to 65 klbs

Torque – 5 to 8.5 kft-lbs

Floating stroke – 1.5"

Weight – approx. 130 kg.

Dimensions –

A = 6.5"

B = 11"

C = 1"

D = extended – 16.5", retracted – 15"

E = 1"

F = 6.5"

Pin thread = 4 ½" API, As per req.

Box thread = 4 ½" API, As per req.

Features –

- Reduce shock and vibration to rotary head.
- Floating feature reduces damage to drill string thread during making and breaking.
- No greasing required; maintenance free.
- Longer life to bit.
- Longer life to rotary head.
- Reduces maintenance on mast.
- Install and forget design.
- Cost effective.
- Innovative and proven design.



Plot no 82 Miraj MIDC Miraj
416410 Maharashtra India.
+91-9225819420,+91-8329230101
E-mail- mass@massengrs.com
www.massengineers.net